

1 2 3 4 5 6 7 8

A

B

C

D

E

F

A

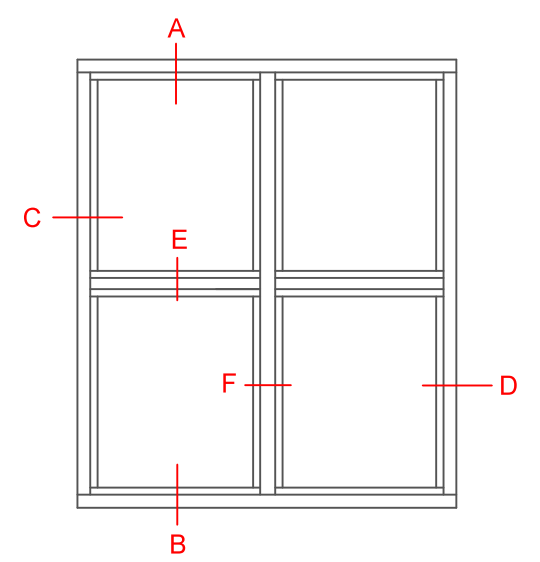
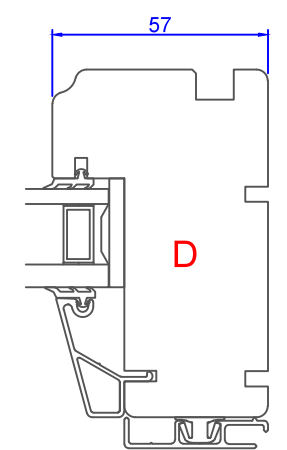
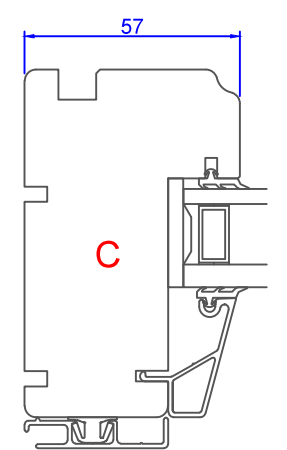
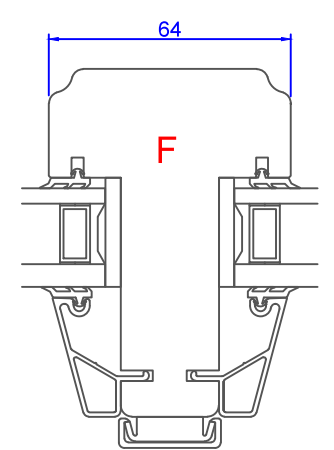
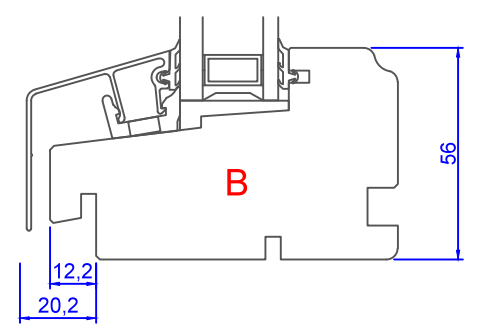
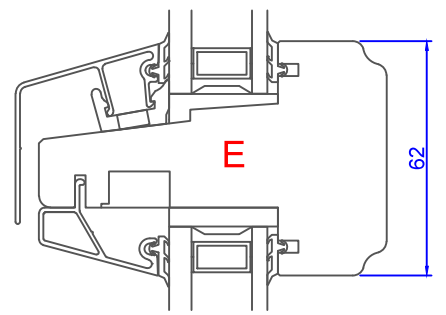
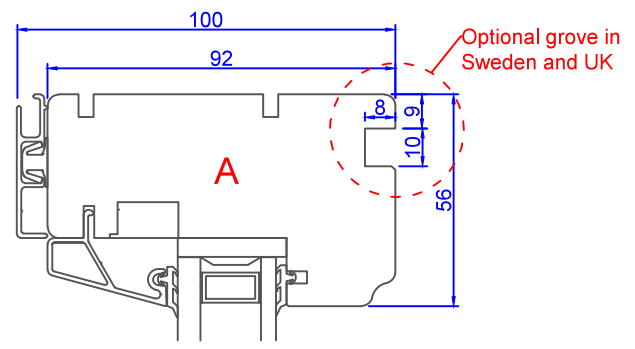
B


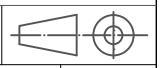
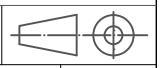
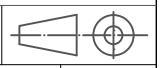
C

D

E

F



Constr. by AOS	Rev. by	Appr. by	Tolerance General Tolerance ± 0.2	 www.nordan.no - www.nordan.se - www.nordan.co.uk										
Constr. Date 12/7/2015	Rev. date	Appr. date	Product series NTech											
Norwegian: ND Ntech Villa Fast karm 100 mm karm inkl. 8 mm alum.	<table border="1"> <tr> <td>Format</td> <td>Scale</td> <td>Side</td> <td rowspan="2" style="text-align: center;"></td> </tr> <tr> <td>A3</td> <td>1:2</td> <td>1 of 1</td> </tr> <tr> <td>Drawing no. N360921</td> <td colspan="3">Revision</td> </tr> </table>			Format	Scale	Side		A3	1:2	1 of 1	Drawing no. N360921	Revision		
Format				Scale	Side									
A3				1:2	1 of 1									
Drawing no. N360921	Revision													
Swedish: ND NTech Villa Fast karm 100 mm karm inkl. 8 mm alum.	English: ND NTech Villa Fixed frame 100 mm frame incl. 8 mm alum.													
This drawing is NorDan AS property and may not without our permission be copied, transferred to another party or otherwise improperly used. Violation penalized under applicable law.														

1 2 3 4 5 6 7 8