

1 2 3 4 5 6 7 8

A

B

C

D

E

F

A

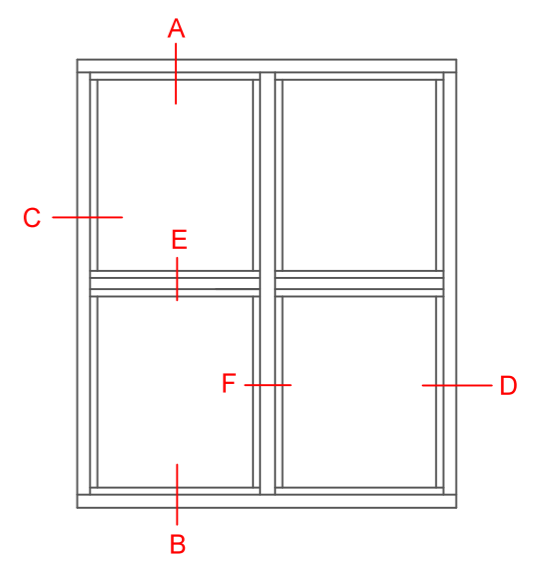
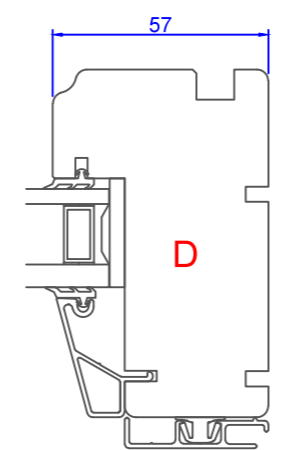
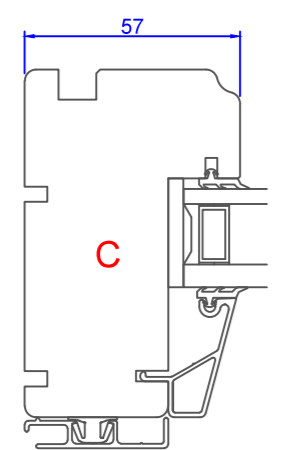
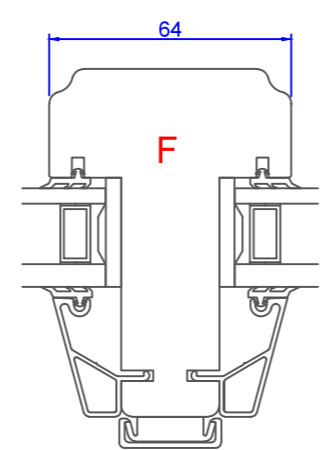
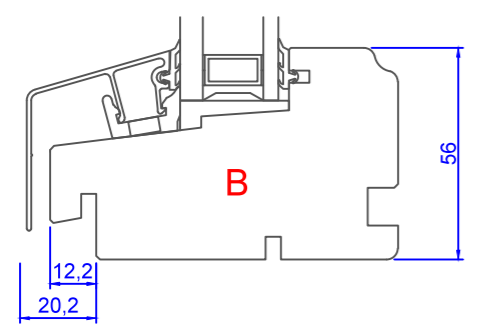
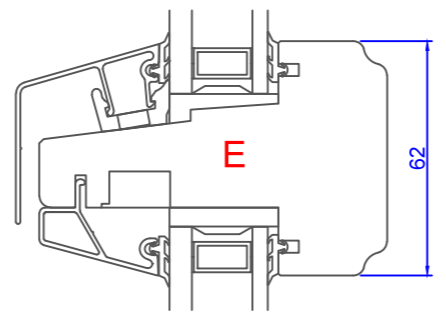
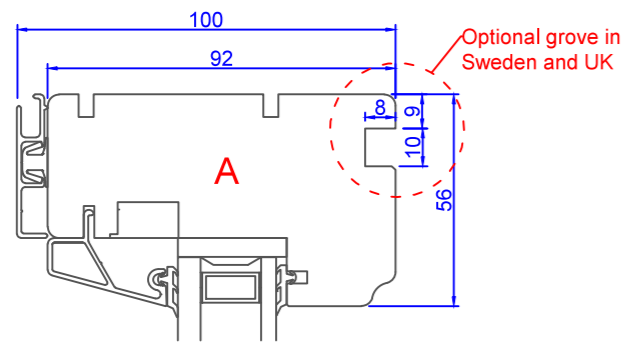
B


C

D

E

F



Constr. by AOS	Rev. by	Appr. by	Tolerance General Tolerance ± 0.2	 www.nordan.no - www.nordan.se - www.nordan.co.uk
Constr. Date 12/7/2015	Rev. date	Appr. date	Product series NTech	
Norwegian: ND Ntech Villa Fast karm 100 mm karm inkl. 8 mm alum.	Format: A3 Scale: 1:2 Side: 1 of 1 Drawing no.: N360921 Revision:			
Swedish: ND NTech Villa Fast karm 100 mm karm inkl. 8 mm alum.				
English: ND NTech Villa Fixed frame 100 mm frame incl. 8 mm alum.				
This drawing is NorDan AS property and may not without our permission be copied, transferred to another party or otherwise improperly used. Violation penalized under applicable law.				

1 2 3 4 5 6 7 8