

1 2 3 4 5 6 7 8

A

B

C

D

E

F

A

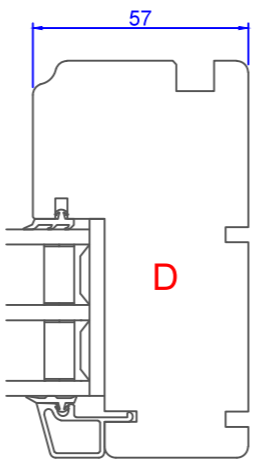
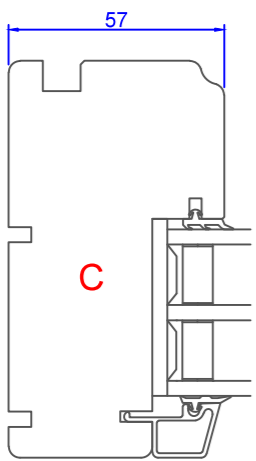
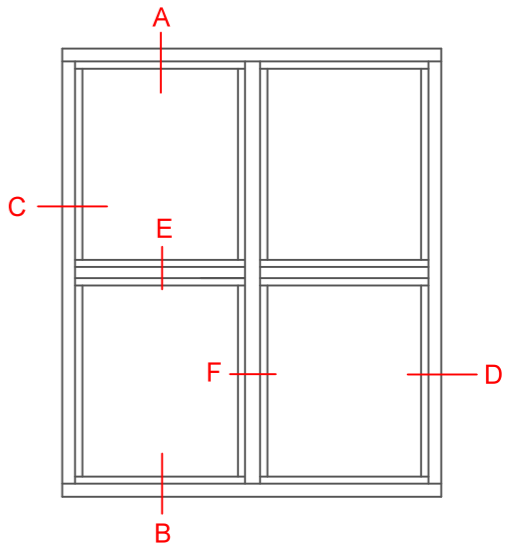
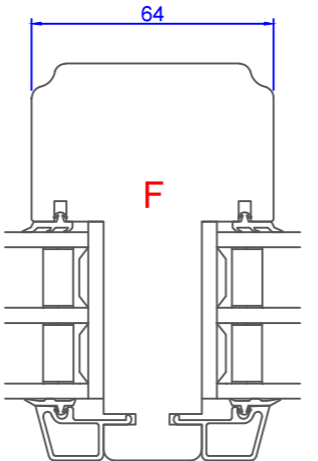
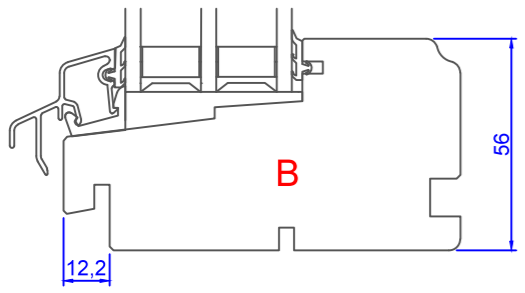
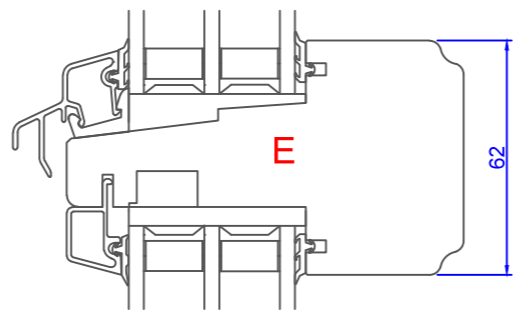
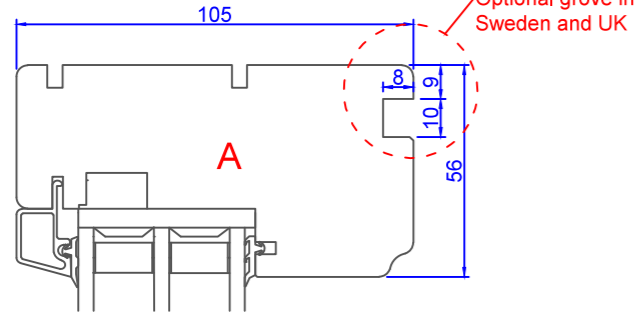
B

C

D

E

F



Constr. by AOS	Rev. by	Appr. by	Tolerance General Tolerance ± 0.2
Constr. Date 12/18/2015	Rev. date	Appr. date	Product series NTech
Norwegian: ND Ntech Villa Fast karm 105/80, 105 mm karm			
Swedish: ND NTech Villa Fast karm 105/80, 105 mm karm			
English: ND NTech Villa Fixed frame 105/80, 105 mm frame			



www.nordan.no - www.nordan.se - www.nordan.co.uk

Format A3	Scale 1:2	Side 1 of 1	Revision
Drawing no. N360922			

This drawing is NorDan AS property and may not without our permission be copied, transferred to another party or otherwise improperly used. Violation penalized under applicable law.