

1 2 3 4 5 6 7 8

A

B

C

D

E

F

A

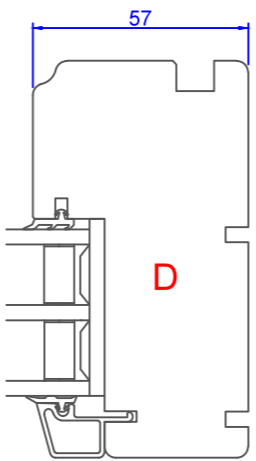
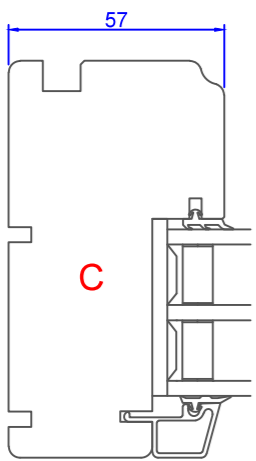
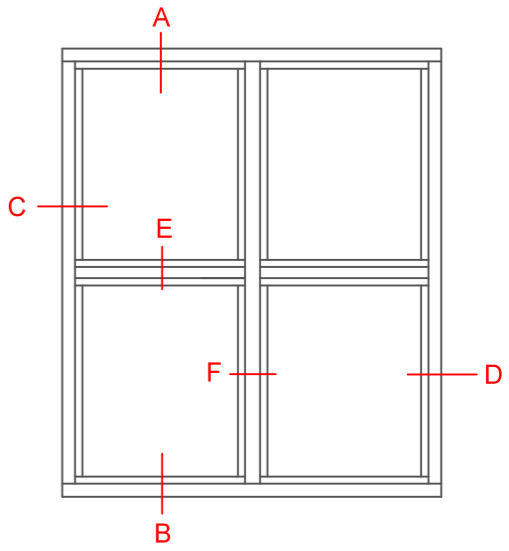
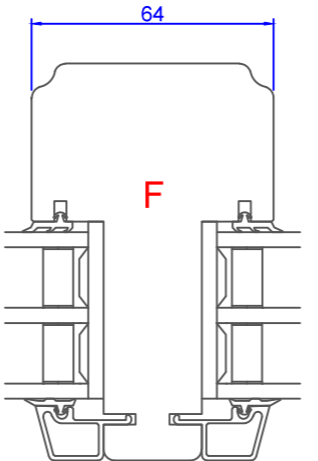
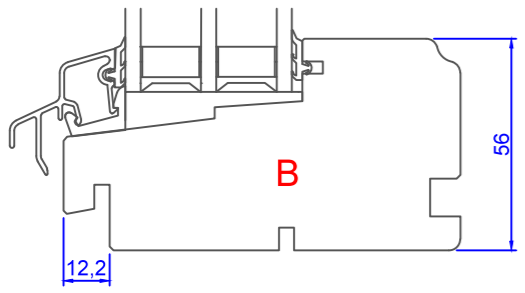
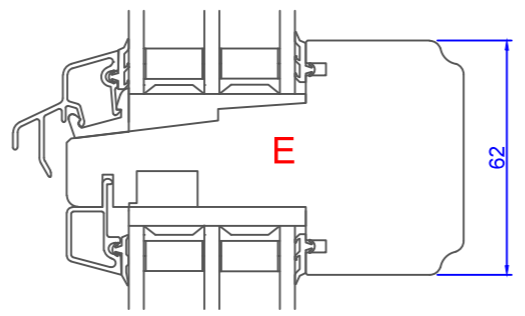
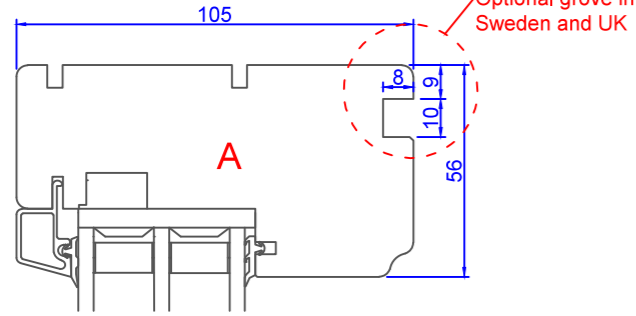
B

C

D

E

F



Constr. by <b>AOS</b>	Rev. by	Appr. by	Tolerance General Tolerance $\pm 0.2$
Constr. Date 12/18/2015	Rev. date	Appr. date	Product series NTech
Norwegian: ND Ntech Villa Fast karm 105/80, 105 mm karm			
Swedish: ND NTech Villa Fast karm 105/80, 105 mm karm			
English: ND NTech Villa Fixed frame 105/80, 105 mm frame			



www.nordan.no - www.nordan.se - www.nordan.co.uk

Format A3	Scale 1:2	Side 1 of 1	Revision
Drawing no. <b>N360922</b>			

This drawing is NorDan AS property and may not without our permission be copied, transferred to another party or otherwise improperly used. Violation penalized under applicable law.