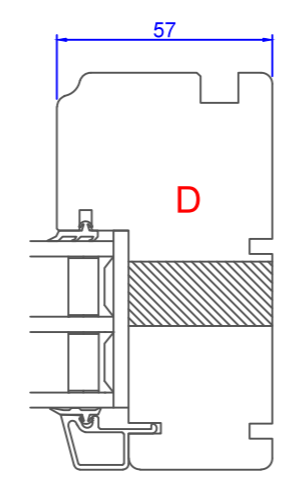
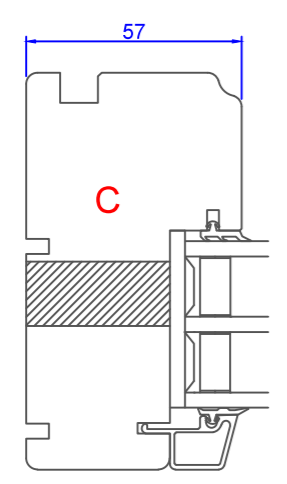
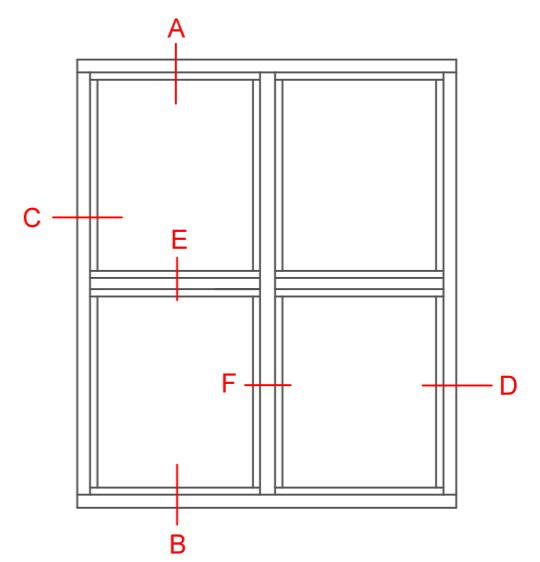
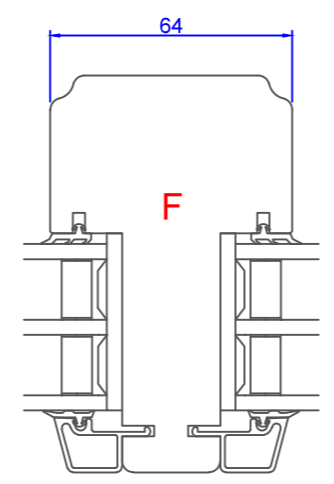
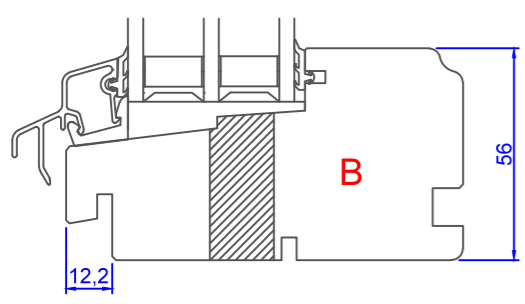
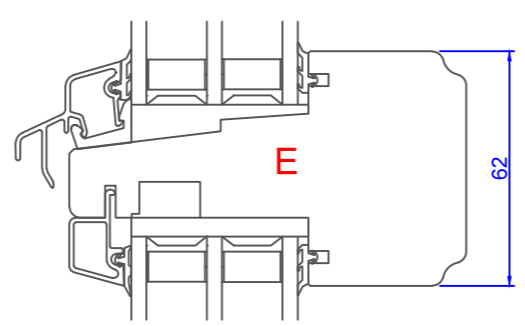
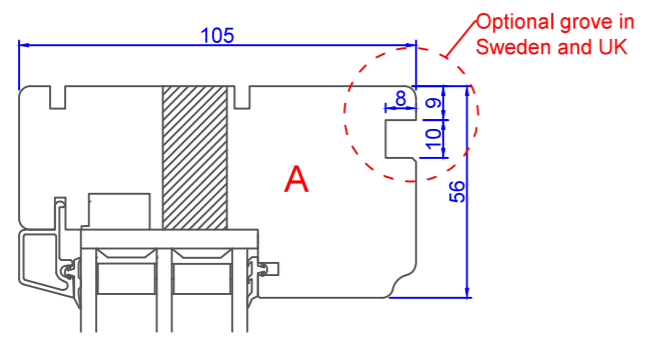



1 2 3 4 5 6 7 8

A
B
C
D
E
F



Constr. by AOS	Rev. by	Appr. by	Tolerance General Tolerance ± 0.2
Constr. Date 12/18/2015	Rev. date	Appr. date	Product series NTech
Norwegian: ND Ntech Villa Fast karm NTech Passiv, 105 mm karm	 www.nordan.no - www.nordan.se - www.nordan.co.uk		
Swedish: ND NTech Villa Fast karm NTech Passiv, 105 mm karm			
English: ND NTech Villa Fixed frame NTech Passive, 105 mm frame			
Format: A3 Scale: 1:2 Side: 1 of 1			Drawing no. N360924

1 2 3 4

A
B
C
D
E
F

This drawing is NorDan AS property and may not without our permission be copied, transferred to another party or otherwise improperly used. Violation penalized under applicable law.