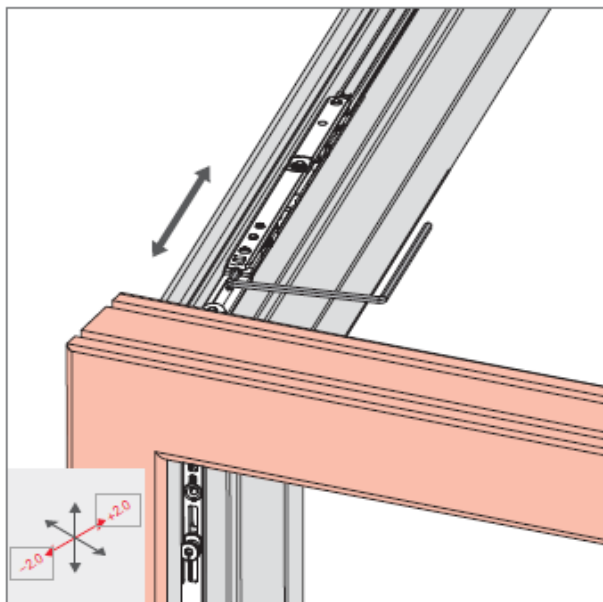
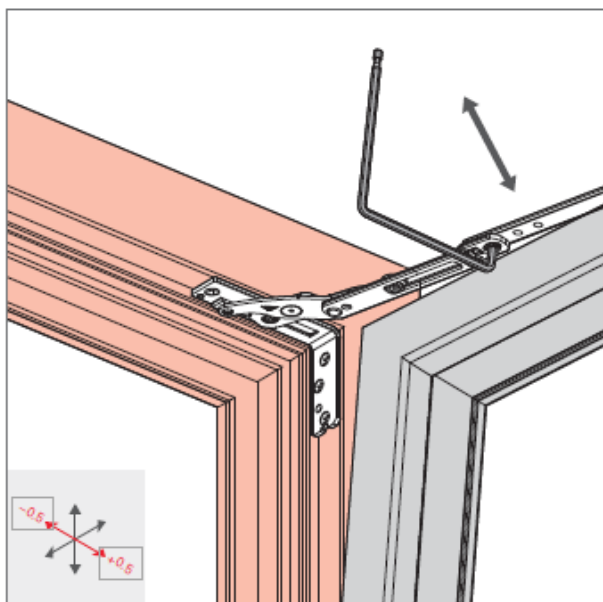


Dokumentets navn: PU-012 - Adjustment instructions ONE / Justerings instruksjon ONE	Ansvarlig: KEE	Rev nr.: 1	Dato: 23.03.2020	Side 1 av 3
--	-------------------	---------------	---------------------	----------------

### Sash stay / Stormkrok:



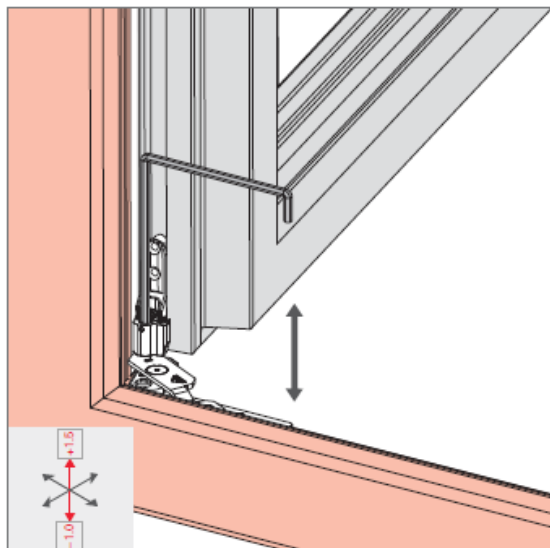
Lateral adjustment / Sidevis justering



Gasket-compression adjustment / Justering klem mot tettelist

Dokumentets navn: PU-012 - Adjustment instructions ONE / Justerings instruksjon ONE	Ansvarlig: KEE	Rev nr.: 1	Dato: 23.03.2020	Side 2 av 3
--	-------------------	---------------	---------------------	----------------

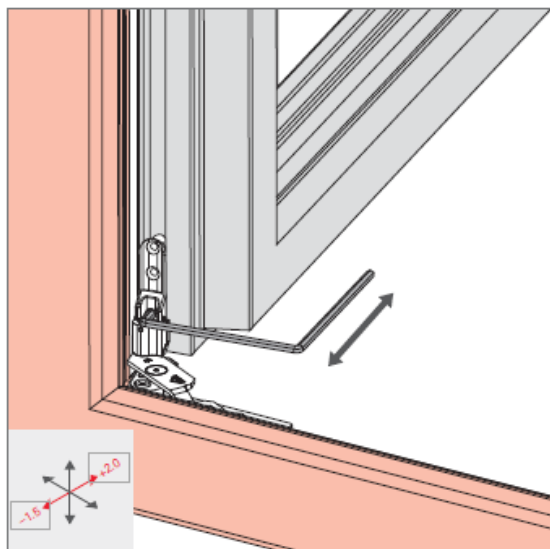
### Corner hinge / hengsle beslag:



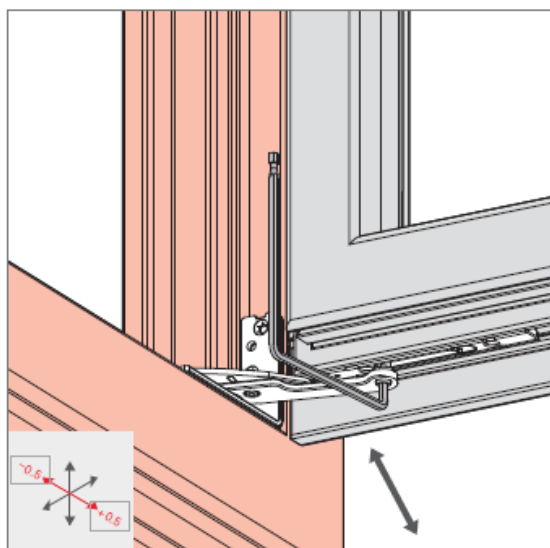
#### Height adjustment / Høyde justering

If mounted – the load transfer has to be rejusted after height adjustment.

Hvis montert – må load transfer rejusteres etter høydejustering.




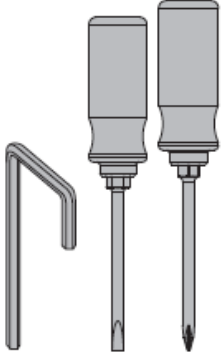
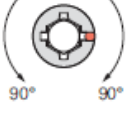

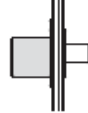

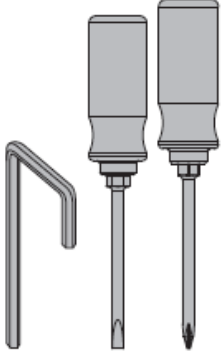
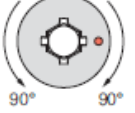
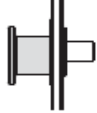
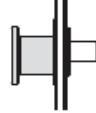


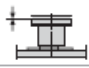
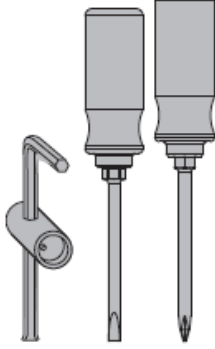
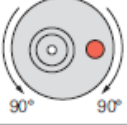
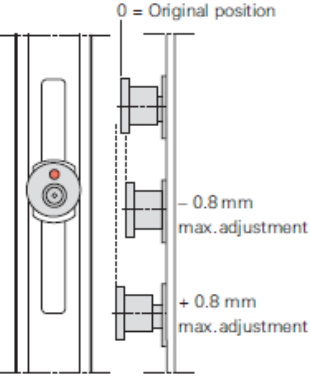
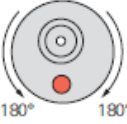
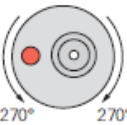
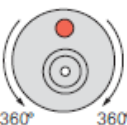
#### Lateral adjustment / Sidevis justering



#### Gasket-compression adjustment / Justering klem mot tetteliste

## Locking cams sash / Låse sopper på ramme

Gasket-compression adjustment / Justering klem mot tettelist

Locking cam adjustment instructions						
Cam type	Adjustment range	Gasket compression	Height	Side view		Tools
<b>E cam</b>						
						
		$\pm 0.8 \text{ mm}$				
<b>P cam</b>						
						
		$\pm 0.8 \text{ mm}$				
<b>V cam</b>						
Cam type	Adjustment range	Gasket-compression adjustment in mm	Height adjustment in mm	Side view / top view		Tools
						
		$\pm 0.8 \text{ mm}$	$\pm 0.2 \text{ mm}$	 <p>0 = Original position</p> <p>- 0.8 mm max. adjustment</p> <p>+ 0.8 mm max. adjustment</p>		
		-	$\pm 0.4 \text{ mm}$			
		$\pm 0.8 \text{ mm}$	$\pm 0.6 \text{ mm}$			
		-	$\pm 0.8 \text{ mm}$			